

STEELCOAT 700™ SYSTEM*



A two-part glass flake reinforced epoxy mastic coating system for the protection of above ground steelwork

The Steelcoat 700™ System comprises a minimum of two coats of Denso S.T. Epoxy™ (the epoxy mastic coating) which is easily applied by brush or airless spray. Denso S.T. Filler™ is utilised to fill any voids, gaps or bad pits.

The Steelcoat 700™ System is used wherever steel grit blasting is not possible. It is ideal for applications such as structural steel, pipe externals, pipe racks, tanks, offshore platforms, locks, gates, and bridges.

When exposed to ultraviolet light a third coat of Urethane based material (Archco 65™ Topcoat) is applied for extra protection (prevents chalking). Light colours of Denso S.T. Epoxy™ are recommended to ensure the epoxy is fully covered with the final Archco 65™ Topcoat for optimum ultraviolet protection.

FEATURES

- Provides long term exterior protection
- Excellent water/sea water resistance
- Good resistance to acids and alkalis
- Good flexibility, hardness and adhesion
- Good impact resistance
- Low VOC

COMPONENTS

Denso S.T. Epoxy™

Options:

Denso S.T. Filler™

Archco 65™ Topcoat

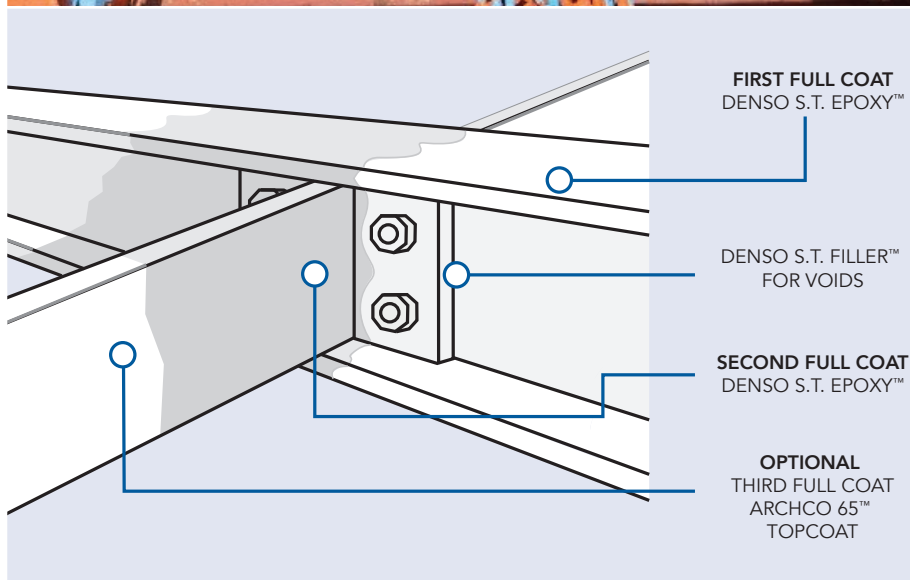
For optimum ultraviolet protection.

SURFACE PREPARATION

Minimal surface preparation required.

Surfaces must be clean and dry. Remove all loose rust, scale and flaking coatings by hand or power tool to St2/St3 (ISO 8501-1).

*Steelcoat 700 is not available for sale in the UK or EU.



PUB No. 498.05.2020



FM 01548 | EMS 583748
ISO 9001:2015 & ISO 14001:2015

WINN & COALES (DENSO) LTD

TEL: +44 (0) 208 670 7511
FAX: +44 (0) 208 761 2456
EMAIL: mail@denso.net
WEB: www.denso.net

Winn & Coales (Denso) Ltd
33 - 35 Chapel Road
London SE27 0TR
UNITED KINGDOM

