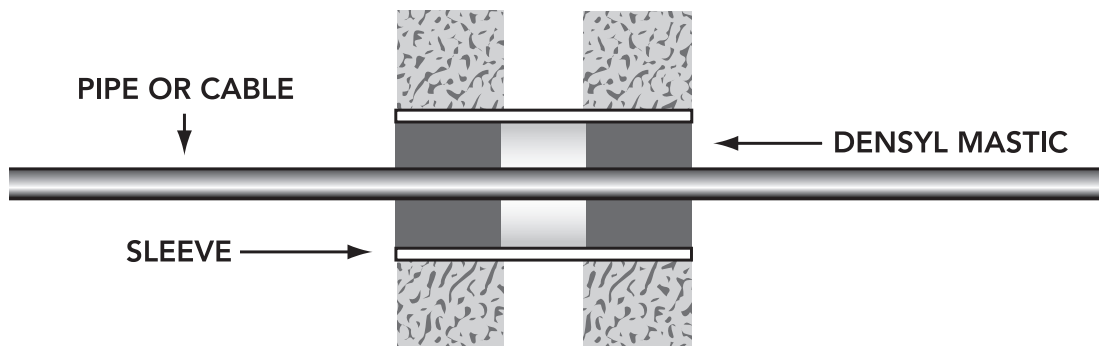


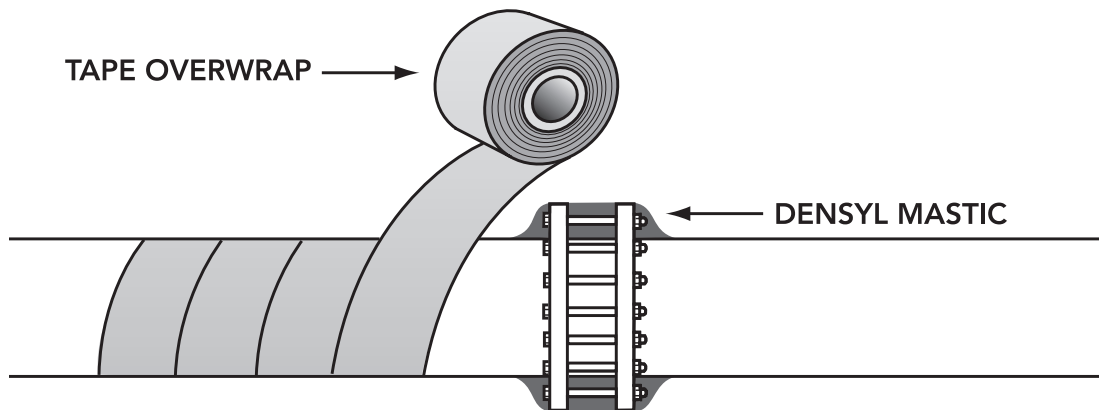
## INSTRUCTIONS FOR USE

- Use:** For the sealing of ducts and service entry sleeves against entry of water or gas. For moulding around irregular profiles such as flanges, valves and couplings to provide a suitable contour for wrapping with anti-corrosion tapes.
- Surface Preparation:** Surfaces must be clean, dry and dust free. Remove all loose rust, scale and flaking coatings by scraping, wire brushing or blast cleaning.
- Priming:** For duct or sleeve sealing do not use primer. For profiling prior to the application of anti-corrosion tapes, apply appropriate primer for the tape (e.g. DENSO PASTE™ for DENSO TAPE™ or DENSO PRIMER D™ for DENSOPOL™ or DENSOCCLAD™ cold applied laminate tapes).



### Application:

- (a) Ducts, Sleeves and Service Entries:** Pack DENSYL™ MASTIC by hand into the annular space between the cable or service pipe and the duct or sleeve pipe. Force the mastic into the gap to a depth at least equal to the diameter of the sleeve or duct. Smooth the exposed surfaces and ensure that the spaces between pipes or cables are properly sealed.



- (b) Valves Flanges and Couplings:** Prepare the surface and apply primer required for the anti-corrosion tape. Press DENSYL MASTIC into cavities, into angles to form a fillet and around bolt heads to form a rounded profile suitable for wrapping with tape without forming bridges or voids.

- Overwrapping:** DENSYL™ MASTIC BLANKETS must be wrapped with anti-corrosion tape to complete protection. See 'Instructions for Use' for the particular tape. Detailed instructions and quantities tables for standard fittings are available from the manufacturer.

# DENSYL™ MASTIC

## INSTRUCTIONS FOR USE

### Safety Data

- Storage:** Store correct way up in original packaging. Store away from direct heat and open flames.  
**Note:** In cold weather, store the mastic for several hours in a warm room immediately prior to use.
- Transport:** No special precautions necessary.
- Handling:** Grease resistant gloves are advised to reduce skin contact.  
Avoid contact with face, arms, etc.  
Wash thoroughly after use and before work breaks to remove compound from the skin.  
Careful attention should be given to personal hygiene.  
Change and clean soiled clothing.
- Action in case of:**
- Fire:** Extinguish with dry powder, carbon dioxide or chemical foam.  
Air breathing equipment may be necessary in large fires.
- Skin contact:** Wash with warm water and mild soap.
- Eye contact:** Irrigate eyes thoroughly with clean water.
- Inhalation:** Not applicable.
- Swallowing:** Obtain medical advice if necessary.
- Spillage:** Not applicable.
- Disposal:** Please minimise or avoid waste wherever possible. Please do not discard waste material, including packaging, in the surrounding environment. Follow all relevant legislation for disposal.

### IMPORTANT:

Winn & Coales (Denso) Ltd pursue a policy to develop and continually improve all of our products and therefore information given in these instructions for use is intended as a general guide and does not constitute a warranty, specification or risk assessment. Instructions for use are intended to provide sufficiently detailed information to achieve successful installation in normal circumstances. These guidelines may not cover all circumstances; however, our sales personnel are committed to assisting the user in establishing the suitability of the product for its intended purpose and additional specific information, advice and training (including Safety Data Sheets) is available. It is strongly recommended that installation is conducted with due regard to Health and Safety using a safe system of work, including risk assessments and method statements, in accordance with relevant local statutes and regulations. Equipment used for installation must be suitable for the intended use, maintained in a safe condition, inspected for signs of deterioration, and used by competent personnel. Any conflict between these guidelines and the specific project specifications must be resolved by the user before work commences. All rights reserved.



**WINN & COALES (DENSO) LTD**  
Denso House, Chapel Road, London, United Kingdom  
TEL: +44 (0) 208 670 7511 • EMAIL: mail@denso.net  
WEB: www.denso.net

A MEMBER OF WINN & COALES INTERNATIONAL



PUB No. 299.06.1990