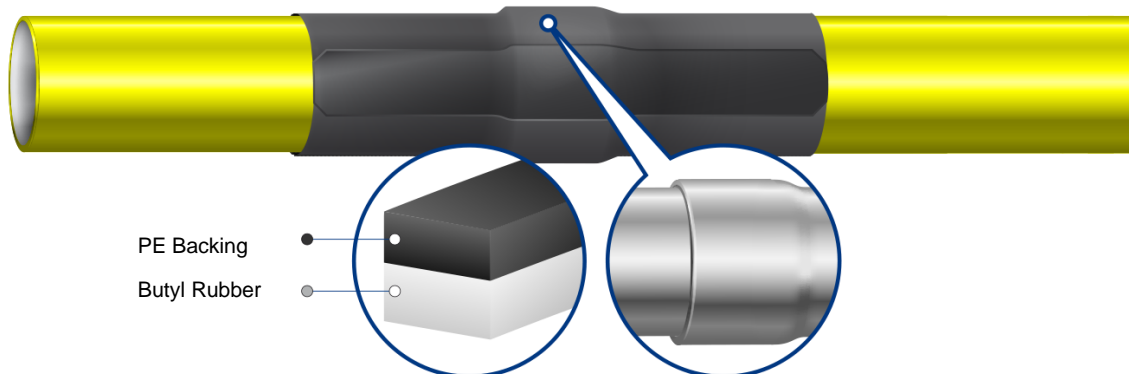


Premier Shrink Sleeve 50 HS

with thermal indicator and separate closure patch



Description

Premier Shrink Sleeve 50 HS is a warm-applied corrosion protective sleeve. It is used for the protection of previously installed socket and spigot joints and can be applied on-site. Other site applications include the coating of conduit poles in the area of the ground to air transition.

Compatibility

Premier Shrink Sleeve 50 HS is compatible with factory coatings of PE, PP, Epoxy resin, polyurethane and bitumen.

System

Premier Shrink Sleeve 50 HS system is simply comprised of a single layer shrinkable sleeve. No primer is required.

Each sleeve consists of a crosslinked and stabilised PE backing coated with a butyl rubber adhesive.

Indicator

The surface pattern of the sleeve is a thermal indicator. With sufficient heat, the surface becomes smooth

Characteristics

- High-quality field coating,
- Mechanically protective backing,
- Requires no primer, and
- Provides proven corrosion protection.

Complementary products

Premier Butyl™ Mastic

Non-curing, permanently plastic butyl rubber mass, easy to form by hand, for the padding of uneven surfaces and for the prevention from cavitation.

Premier Melt Stick

For the repair of minor damages to the PE factory coating

Premier Patch Repair Kit

Warm-applied repair patch comprising crosslinked PE coated with melt adhesive. Can be used for the repair of mechanical damage in factory coatings of PE or PP.

Characteristics

Backing	
Colour	Black
Nominal Thickness (DN<150 mm)	0.6 mm
Nominal Thickness (DN>150 mm)	0.8 mm
Type	Crosslinked PE backing
Adhesive	
Colour	Black
Nominal Thickness	0.9 mm
Type	Butyl coating
Hardness of PE film (Shore D)	45
UV resistance	Backing contains >2% carbon black

Typical Properties

	Typical Result	Test Method
Impact resistance	16 J 9 J/mm	EN 12068 ISO 21809-3
Breaking strength	18 N/mm 21 MPa	EN 12068 EN 12068
Elongation at break	450%	EN 12068
Water absorption	0.05%	EN ISO 62
Peel Strength (layer to layer) 23°C	4.1 N/mm	EN 12068 / ISO 21809-3
Peel Strength (layer to layer) 50°C	0.2 N/mm	EN 12068 / ISO 21809-3
Peel Strength (pipe surface) 23°C	0.5 N/mm	EN 12068 / ISO 21809-3
Peel Strength (pipe surface) 50°C	0.1 N/mm	EN 12068 / ISO 21809-3
Peel Strength (factory coating) 23°C	0.5 N/mm	EN 12068 / ISO 21809-3
Peel Strength (factory coating) 50°C	0.1 N/mm	EN 12068 / ISO 21809-3
Lap shear strength (steel surface) 23°C	0.1 N/mm ²	EN 12068 / ISO 21809-3
Lap shear strength (steel surface) 50°C	0.05 N/mm ²	EN 12068 / ISO 21809-3
Lap shear strength (factory coating) 23°C	0.1 N/mm ²	EN 12068 / ISO 21809-3
Lap shear strength (factory coating) 50°C	0.05 N/mm ²	EN 12068 / ISO 21809-3
Indentation Resistance (50°C)	10 N/mm ²	EN 12068 / ISO 21809-3
Residual Thickness	0.6 mm	EN 12068 / ISO 21809-3
Specific electrical insulation resistance	>10 ¹¹ Ωm ²	EN 12068
Dielectric breakdown	>40 kV/mm	ASTM D149
Cathodic disbondment, 28 days (50°C)	≤4 mm	EN 12068 / ISO 21809-3

Application

See *Instructions for Use* for additional detail

Availability

Premier Shrink Sleeve 50 HS is available in 30 metre rolls with a width of 450 mm and 600 mm. Kits are also available.

Storage conditions

Storage temperatures: +5 to +35°C

If stored in a dry, well ventilated place in original packaging.

Shelf life: 24 months (when stored as recommended)

Important: Winn & Coales (Denso) Ltd pursue a policy to develop and continually improve all of our products and therefore the information given in this data sheet is intended as a general guide and does not constitute a warranty of specification. However, our sales personnel are committed to assist the user in establishing the suitability of the product for its intended purpose and additional specific information is available on request. Winn & Coales (Denso) Ltd operate a Quality Management System registered to BS EN ISO 9001 (BSI Certificate no. FM01548) and an Environmental Management System registered to BS EN 14001 (BSI Certificate 583748).