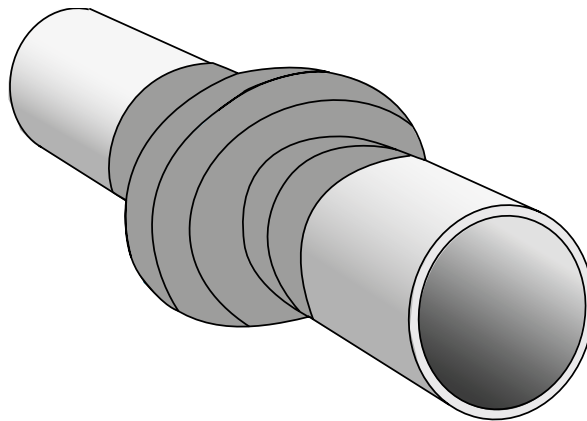


COVERING: DENSO PASTE™, DENSYL™ MASTIC, DENSO™ PROFILING MASTIC, DENSO TAPE™, STEELCOAT™ COLOURTAPE, DENSO™ PVC SELF-ADHESIVE TAPE, DENSOCLAD™ TAPES

## INSTRUCTIONS FOR USE

For the protection of fittings and similar structures from corrosion above ground, buried or immersed. To protect the metal structure from the environment the tapes must cover the entire surface.



### SURFACE PREPARATION

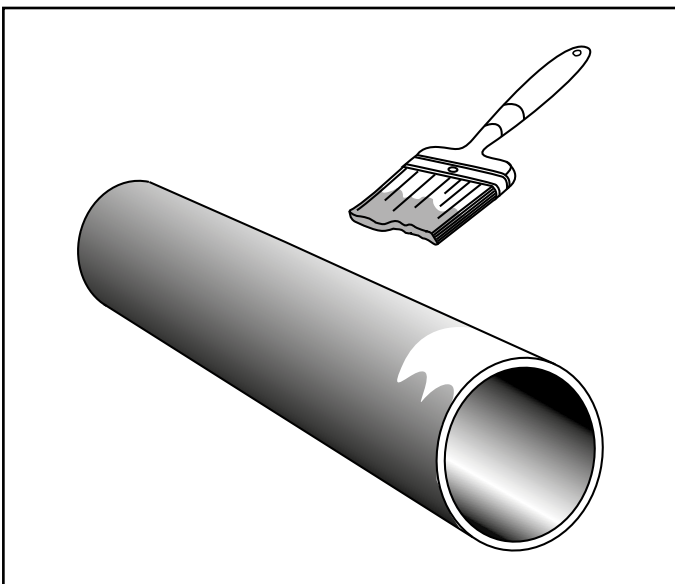
Surfaces must be clean and dry. Remove all loose rust, scale and flaking coatings by scraping, wire brushing or blast cleaning.

### PRIMING

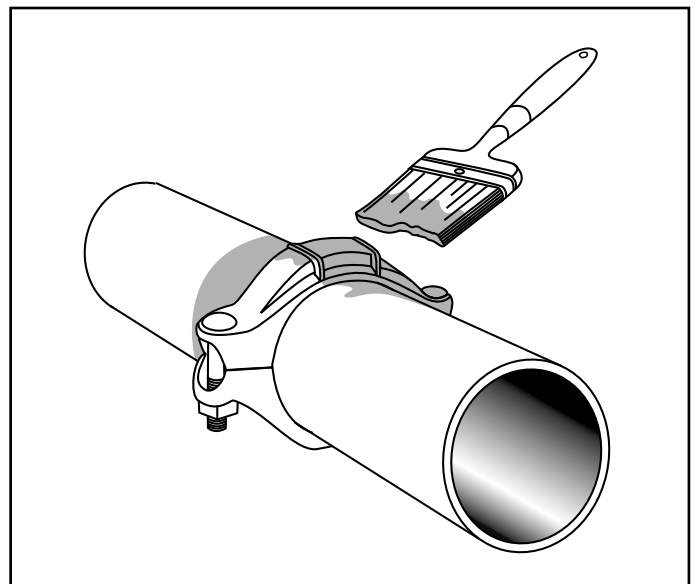
For all diameter pipes and fittings apply DENSO PASTE™ by gloved hand or brush in a thin layer over the entire surface including threads, crevices and pitted areas.

Apply one coat of DENSO PASTE over the entire area to be wrapped. Allow to dry.

**STEELCOAT™ COLOURTAPE does not require a primer.**



**Fig 1.** Priming pipes, rods and cables. Apply DENSO PASTE to entire area to be wrapped with tape.



**Fig 2.** Priming flanges and couplings. Apply DENSO PASTE to entire area to be wrapped with tape.

COVERING: DENSO PASTE™, DENSYL™ MASTIC, DENSO™ PROFILING MASTIC, DENSO TAPE™, STEELCOAT™ COLOURTAPE, DENSO™ PVC SELF-ADHESIVE TAPE, DENSOCLAD™ TAPES

### TAPE APPLICATION FOR PIPES, RODS AND CABLES

Select as wide a width of tape as practical, e.g. 75mm wide for 75mm diameter pipe. For buried or immersed applications apply tapes with 55% overlap to give double thickness.

For above ground use overlap tapes by 15mm for widths up to 150mm and 25mm for wider tapes. Press the end of the tape firmly onto the pipe and unroll the tape around the pipe spirally, overlapping itself.

Apply sufficient tension to conform the tape to the surface without gaps. Do not overstretch. Start a new roll by overlapping the ends by one tape width.

Press down all folds and smooth the entire area with special attention to the overlaps.

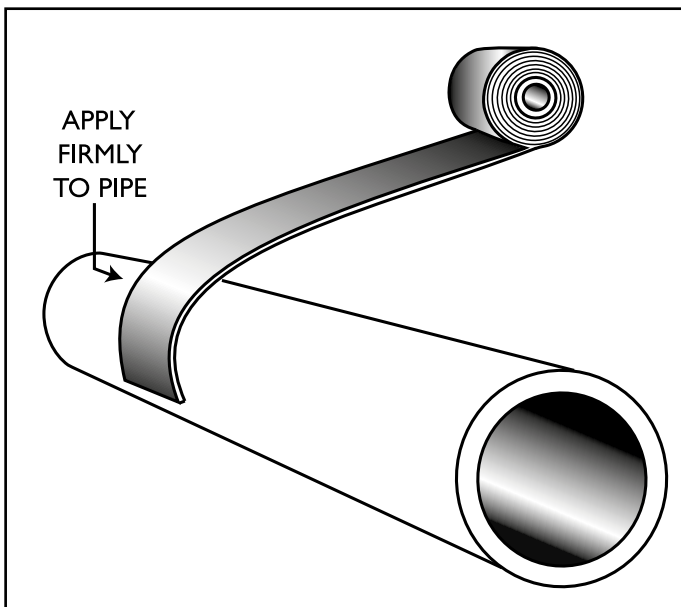


Fig 3. Starting the first roll of tape.

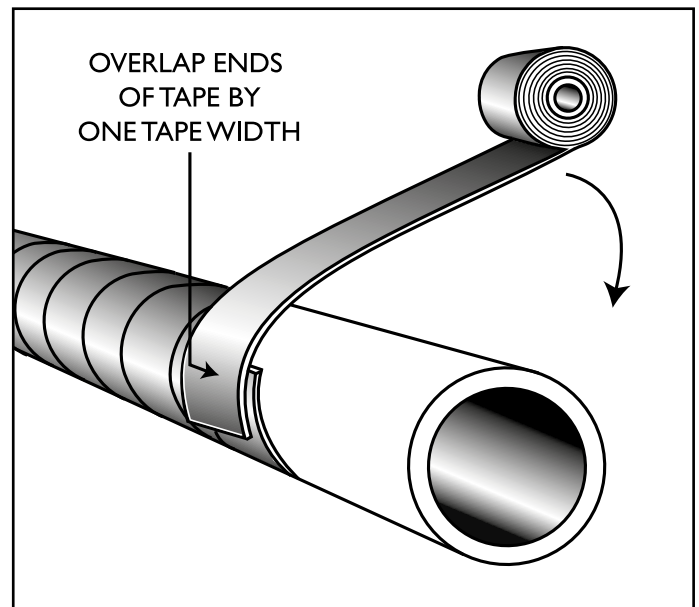


Fig 5. Starting a new roll of tape.

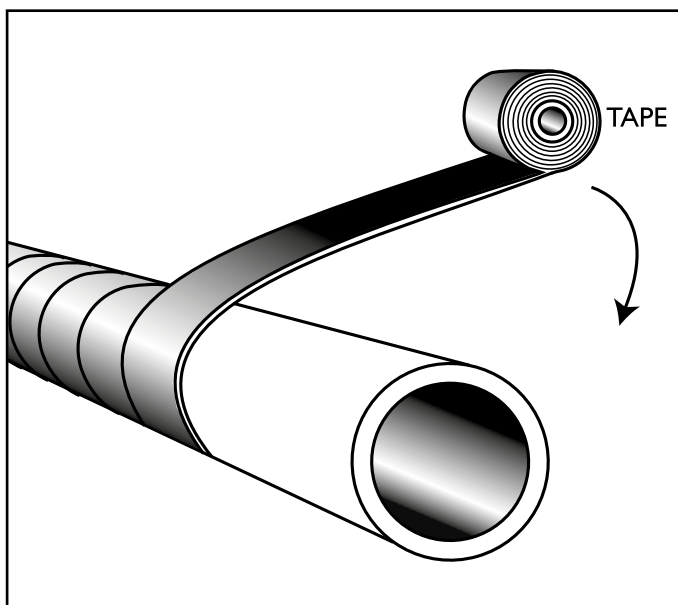


Fig 4. Diagram showing the correct application procedure for wrapping tape.

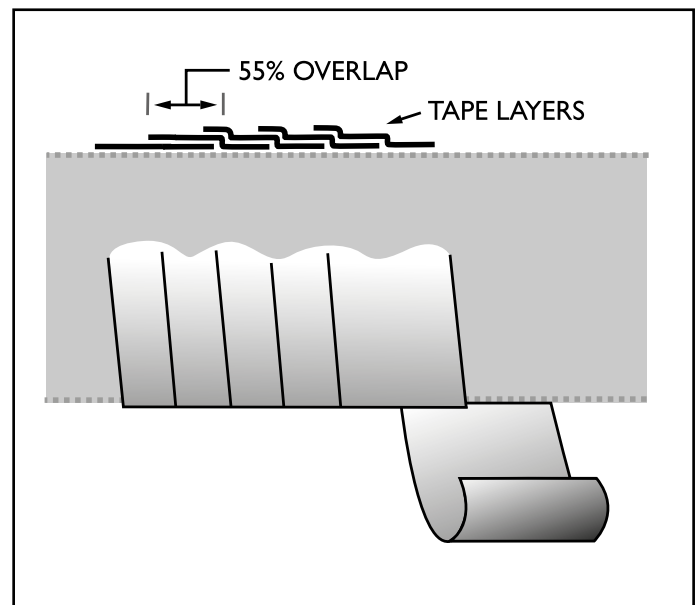


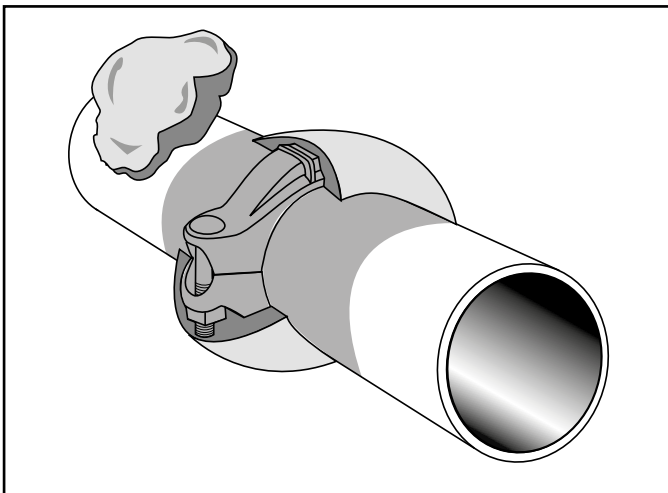
Fig 6. For buried or immersed applications overlapping each turn by 55% gives a double thickness.

COVERING: DENSO PASTE™, DENSYL™ MASTIC, DENSO™ PROFILING MASTIC, DENSO TAPE™, STEELCOAT™ COLOURTAPE, DENSO™ PVC SELF-ADHESIVE TAPE, DENSOCLAD™ TAPES

## COUPLINGS, FLANGES ETC

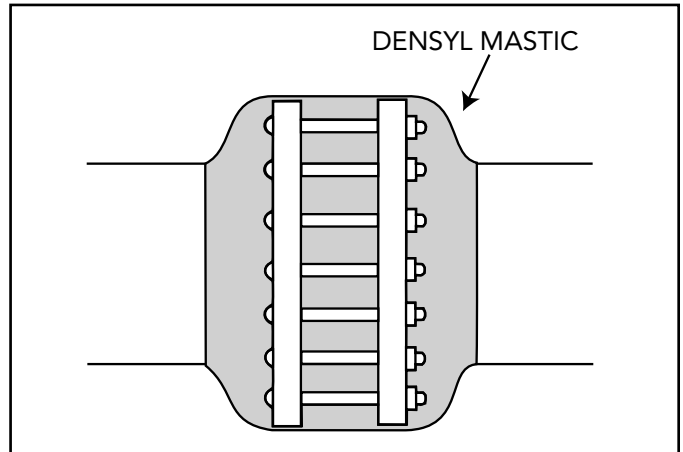
Carefully bandage the fitting, pressing down folds and avoiding air gaps. Cover the whole fitting with at least two layers continuing onto the pipe coating either side.

At large changes of diameter, bolts and internal angles, make the profile more suitable for wrapping by applying DENSYL™ MASTIC as a fillet at angles and around bolts. Wrap the profiled joint ensuring the tape does not bridge gaps.

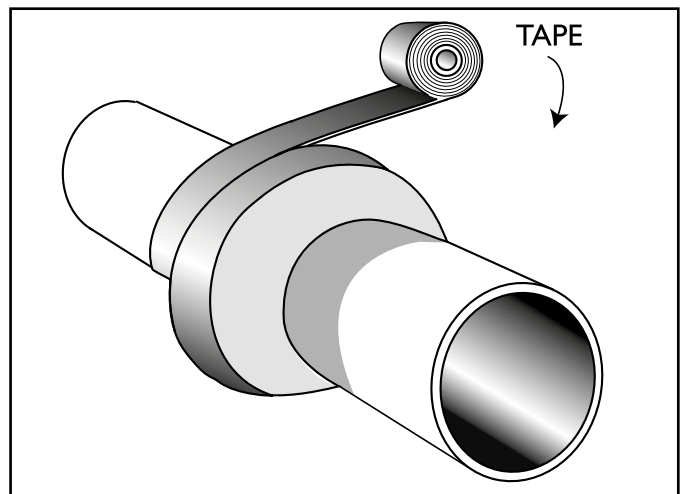


**Fig 7.** Profiling the joint with Densyl Mastic.

**Fig 9.** Wrap joint in two halves. Start on the crown and work towards pipe then repeat from crown working towards pipe on opposite side of joint.



**Fig 8.** Make sure the Densyl Mastic is pushed into all crevices and that it forms a smooth profile for wrapping.

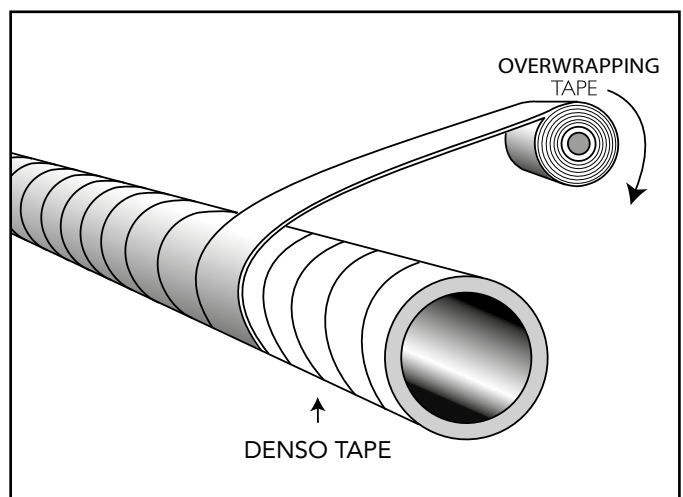


## PROTECTIVE OUTERWRAP

For further protection, a separate overwrap of DENSO™ PVC SELF-ADHESIVE TAPE or a DENSOCLAD™ TAPE, may be applied spirally over the petrolatum tape.

Consult our Technical Sales Department for advice on selection and application of overwraps.

**Fig 10.** Overwrap DENSO TAPE with DENSO PVC SELF-ADHESIVE TAPE or DENSOCLAD TAPE with a 55% overlap.



COVERING: DENSO PASTE™, DENSYL™ MASTIC, DENSO™ PROFILING MASTIC, DENSO TAPE™, STEELCOAT™ COLOURTAPE, DENSO™ PVC SELF-ADHESIVE TAPE, DENSOCLAD™ TAPES

## INSTRUCTIONS FOR USE

### STORAGE:

Store correct way up in original packaging. Store away from direct heat and open flames.

### TRANSPORT:

No special precautions necessary.

### HANDLING:

- Avoid contact of the compound with face, arms, etc.
- Wash thoroughly after use and before work breaks to remove compound from the skin.
- Careful attention should be given to personal hygiene.
- Change and clean soiled clothing

### ACTION IN CASE OF..

**FIRE:** Extinguish with dry powder, carbon dioxide or chemical foam. Air breathing equipment may be necessary in large fires.

**SKIN CONTACT:** Wash with warm water and mild soap.

### DISPOSAL:

Please minimise or avoid waste wherever possible. Please do not discard waste material, including packaging, in the surrounding environment. Follow all relevant legislation for disposal.

#### IMPORTANT:

Winn & Coales (Denso) Ltd pursue a policy to develop and continually improve all of our products and therefore information given in this data sheet is intended as a general guide and does not constitute a warranty, specification or risk assessment. These guidelines may not cover all circumstances; however, our sales personnel are committed to assisting the user in establishing the suitability of the product for its intended purpose and additional specific information, including Safety Data Sheets, is available on request. We recommend that installation is carried out with due regard to Health and Safety and in accordance with relevant local statutes and regulations. Any conflict between these guidelines and the specific project specifications must be resolved by the user before work commences. All rights reserved.