

## INSTRUCTIONS FOR USE

### USE

A specially formulated petrolatum tape for application to wet or submerged jetty piles, other marine structures or pipework. It provides the primary corrosion protection as part of the Denso Seashield™ Systems.

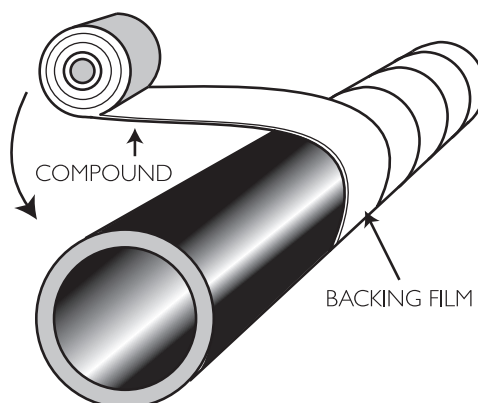
### SURFACE PREPARATION

Surfaces must be cleaned to remove marine growth, loosely adhering coatings, rust and scale. Areas of exposed steel should be cleaned to ISO 8501-1:1988 Grade St2. Suitable cleaning methods include scraping, wire brushing, wet abrasive blasting or high pressure water jetting.

### PRIMING

Examine the prepared surface. If there are areas of pitting of more than 2mm depth apply a coat of Denso Paste S105™ using a gloved hand or paint roller to ensure that pits are filled.

### DIAGRAM OF THE CORRECT APPLICATION PROCEDURE



### APPLICATION - TAPE WRAPPING

1. Start at the lowest point of the area to be protected.
2. Place the start of the roll of tape against the pile with the backing film outermost and rub down well. Make one circumferential turn around the pile maintaining sufficient tension to displace the water and ensure adhesion. Continue wrapping spirally to give a 55% overlap.
3. To start a new roll of tape, overlap the end of the previous tape by 150mm and continue as before.
4. Finish wrapping at the upper end of the pile by making one complete circumferential turn.
5. Examine the applied tape to ensure complete coverage and smooth overlaps, creases etc by hand.

### OVERWRAPPING

Denso™ Marine Piling Tape normally requires an outer covering (e.g. Jacket or Heavy Duty Tape) to protect it from damage.

## INSTRUCTIONS FOR USE

### STORAGE

Store correct way up in original packaging. Store away from direct heat and open flames.

### TRANSPORT

No special precautions necessary.

### HANDLING

- Grease resistant gloves are advised to reduce skin contact.
- Avoid contact with face, arms, etc.
- Wash thoroughly after use and before work breaks to remove compound from the skin.
- Careful attention should be given to personal hygiene.
- Change and clean soiled clothing

### ACTION IN CASE OF...

**FIRE:** Extinguish with dry powder, carbon dioxide or chemical foam. Air breathing equipment may be necessary in large fires.

**SKIN CONTACT:** Wash with warm water and mild soap.

**INHALATION:** Not applicable

**SWALLOWING:** Not applicable

**SPILLAGE:** Not applicable

### DISPOSAL

Please minimise or avoid waste wherever possible. Please do not discard waste material, including packaging, in the surrounding environment. Follow all relevant legislation for disposal.

#### IMPORTANT:

Winn & Coales (Denso) Ltd pursue a policy to develop and continually improve all of our products and therefore information given in this data sheet is intended as a general guide and does not constitute a warranty or specification. However, our sales personnel are committed to assisting the user in establishing the suitability of the product for its intended purpose and additional specific information is available on request. These Instructions may not cover all circumstances and must be read in conjunction with the project specifications. For further advice contact Winn & Coales (Denso) Ltd.